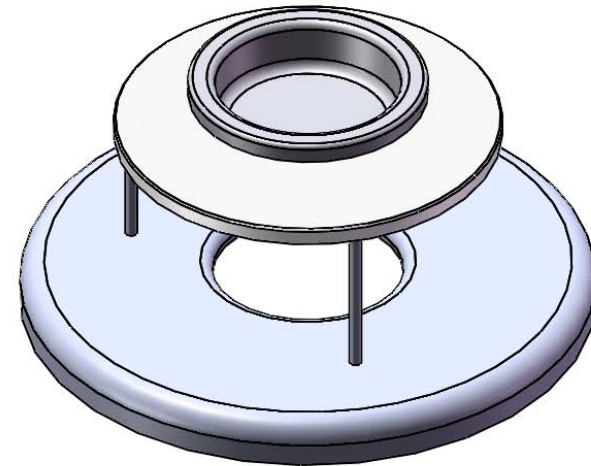
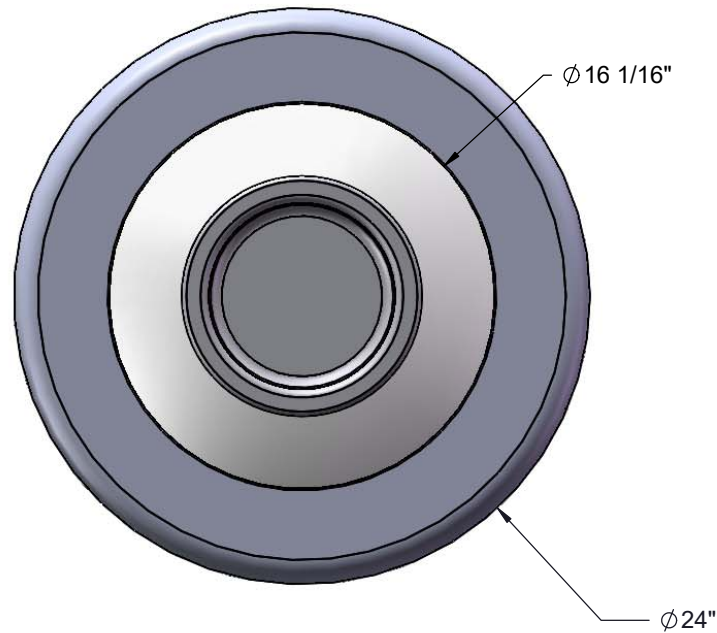


Site Amenities

BY SUPERIOR RECREATIONAL PRODUCTS



MODEL #: FLATTOP32AB-HW
32 GALLON ASH URN TOP

MATERIAL: TOP PLATE SHALL BE FABRICATED FROM 18 GAUGE STEEL FLAT, SPUN TO FORM. VERTICAL POSTS ARE $\frac{1}{2}"$ DIAMETER STEEL RODS. BONNET TOP SHALL BE FABRICATED FROM 20 GAUGE STEEL FLAT, SPUN TO FORM. ASH URN SHALL BE FABRICATED FROM 20 GAUGE STEEL FLAT, SPUN TO FORM. ALL ELECTRICALLY MIG WELDED.

COATING: OVEN FUSED FUNCTIONALIZED POLYETHYLENE COPOLYMER-BASED THERMOPLASTIC. FLUIDIZED BED COATING APPLICATION WITH SUPERIOR MECHANICAL PERFORMANCE, IMPACT RESISTANCE AND UV-STABILITY.

TOP DIMENSIONS: CENTER OPENING SHALL BE AN $8"$ INSIDE DIAMETER. THE OVERALL DIMENSIONS SHALL BE $24"$ DIAMETER X $13\text{-}\frac{1}{8}"$ HIGH.

